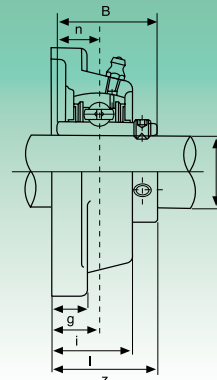
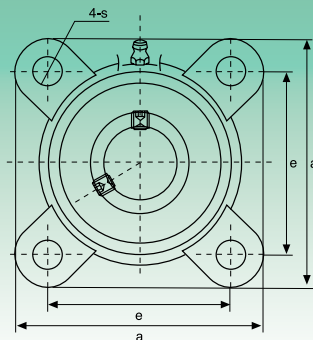


UCF3 Schwere Reihe - Тяжелая серия


Typ Тип	Abmessungen - Размеры										Bef.Bolz. Креп. винт	Tragzahlen (N) Коэффициент нагрузки (H)		Lager Подшипник	Gehäuse Корпус	Gewicht Вес								
	d	a	e	i	g	l	s	z	B	n		dynamisch C Динамическая C	statisch C ₀ Статическая C ₀				kg							
mm/Zoll - мм/дюйм											mm/Zoll - мм/дюйм													
UCF305 UCF305-13 UCF305-14 UCF305-15 UCF305-16	25 13/16 7/8 15/16 1	110	80	16	13	29	16	39	38	15	M14	20140	10355	UC305 UC305-13 UC305-14 UC305-15 UC305-16	F305	1,1								
UCF306 UCF306-17 UCF306-18 UCF306-19	30 11/16 11/8 13/16	125	95	18	15	32	16	44	43	17	M14			25365			14250	UC306 UC306-17 UC306-18 UC306-19	F306	1,6				
UCF307 UCF307-20 UCF307-21 UCF307-22 UCF307-23	35 1 1/4 15/16 13/8 17/16	135	100	20	16	36	19	49	48	19	M16							31730			18335	UC307 UC307-20 UC307-21 UC307-22 UC307-23	F307	2
UCF308 UCF308-24 UCF308-25	40 1 1/2 19/6	150	112	23	17	40	19	56	52	19	M16											38665		
UCF309 UCF309-26 UCF309-27 UCF309-28	45 15/8 111/16 1 3/4	160	125	25	18	44	19	60	57	22	M16			46455			28025		UC309 UC309-26 UC309-27 UC309-28	F309				
UCF310 UCF310-29 UCF310-30 UCF310-31	50 113/16 17/8 115/16	175	132	28	19	48	23	67	61	22	M20	58900	36385		UC310 UC310-29 UC310-30 UC310-31	F310			4,5					
UCF311 UCF311-32 UCF311-33 UCF311-34 UCF311-35	55 2 21/16 21/8 23/16	185	140	30	20	52	23	71	66	25	M20				68020			42750			UC311 UC311-32 UC311-33 UC311-34 UC311-35	F311	5,5	
UCF312 UCF312-36 UCF312-37 UCF312-38 UCF312-39	60 2 1/4 25/16 23/8 27/16	195	150	33	22	56	23	78	71	26	M20										77805			49590
UCF313 UCF313-40 UCF313-41	65 2 1/2 29/16	208	166	33	22	58	23	78	75	30	M20	88065	56905	UC313 UC313-40 UC313-41		F313	7,9							
UCF314 UCF314-42 UCF314-43 UCF314-44	70 25/8 211/16 2 3/4	226	178	36	25	61	25	81	78	33	M22			98800					64790	UC314 UC314-42 UC314-43 UC314-44				
UCF315 UCF315-45 UCF315-46 UCF315-47 UCF315-48	75 213/16 27/8 215/16 3	236	184	39	25	66	25	89	82	32	M22	107350	73340		UC315 UC315-45 UC315-46 UC315-47 UC315-48	F315	12							
UCF316 UCF316-49 UCF316-50 UCF316-51	80 31/16 31/8 33/16	250	196	38	27	68	31	90	86	34	M27				116850			82365		UC316 UC316-49 UC316-50 UC316-51		F316	14	
UCF317 UCF317-52 UCF317-53 UCF317-55	85 3 3/4 35/16 37/16	260	204	44	27	74	31	100	96	40	M27			126350					91960	UC317 UC317-52 UC317-53 UC317-55	F317			16
UCF318 UCF318-55 UCF318-56	90 37/16 3 1/2	280	216	44	30	76	35	100	96	40	M30				135850			101650		UC318 UC318-55 UC318-56		F318	19	
UCF319 UCF319-58 UCF319-59 UCF319-60	95 35/8 311/16 3 3/4	290	228	59	30	94	35	121	103	41	M30	145350	113050			UC319 UC319-58 UC319-59 UC319-60	F319			22				
UCF320 UCF320-61 UCF320-62 UCF320-63 UCF320-64	100 313/16 37/8 315/16 4	310	242	59	32	94	38	125	108	42	M33			164350	133950	UC320 UC320-61 UC320-62 UC320-63 UC320-64		F320	25					
UCF321	105	310	242	59	32	94	38	127	-	44	M33					174800					145350	UC321	F321	25,6
UCF322	110	340	266	60	35	96	41	131	-	46	M36	194750	171000			UC322	F322			34,7				
UCF324	120	370	290	65	40	110	41	140	-	51	M36	196650	175750			UC324	F324			47,2				
UCF326	130	410	320	65	45	115	41	146	-	54	M36	217550	203300	UC326	F326	62,7								
UCF328	140	450	350	75	55	125	41	161	-	59	M36	240350	233700	UC328	F328	87,0								