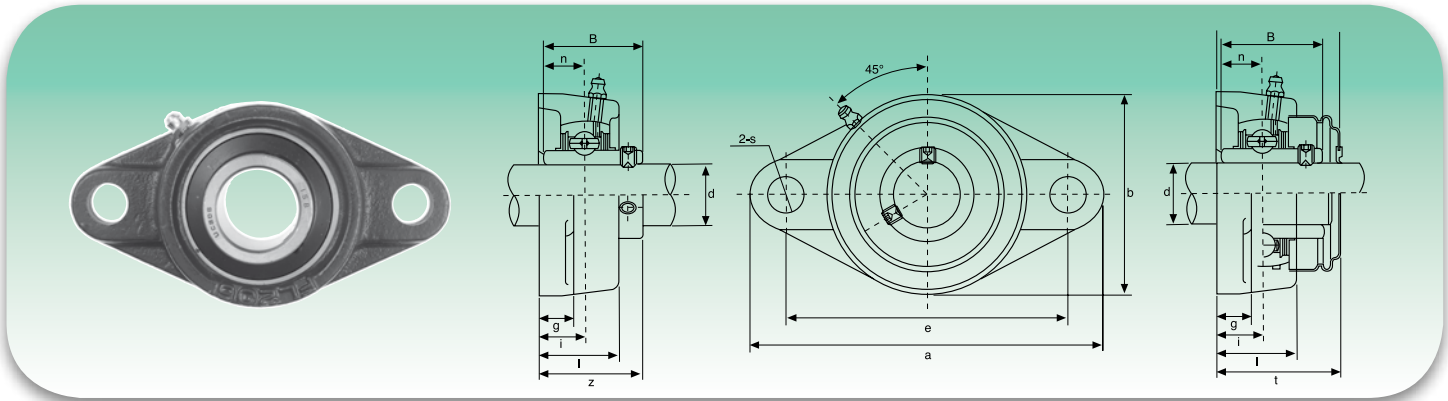


### UCFL2 Normale Reihe - Нормальная серия



Typ Тун	Abmessungen - Размеры												Bef.Bolz. Креп. винт	Tragzahlen (N) Коэффициент нагрузки (H)		Lager Подшипник	Gehäuse Корпус	Gewicht Вес	
	d	a	e	i	g	l	s	b	z	t	B	n		dynamisch C	statisch C <sub>0</sub>				kg
	mm/Zoll - мм/дюйм													Динамическая C	Статическая C <sub>0</sub>				
UCFL201	12	113	90	15	11	25,5	12	60	33,3	37,5	31	12,7	M10	12160	6318	UC201	FL204	0,45	
UCFL201-8	3/4	47/16	335/64	19/32	7/16	1	15/32	23/8	15/16	131/64	1,2205	0,500	3/8	12160	6318	UC201-8	FL204	0,44	
UCFL202	15	113	90	15	11	25,5	12	60	33,3	37,5	31	12,7	M10	12160	6318	UC202	FL204	0,44	
UCFL202-9	9/16	47/16	335/64	19/32	7/16	1	15/32	23/8	15/16	131/64	1,2205	0,500	3/8	12160	6318	UC202-9	FL204	0,44	
UCFL202-10	5/8	47/16	335/64	19/32	7/16	1	15/32	23/8	15/16	131/64	1,2205	0,500	3/8	12160	6318	UC202-10	FL204	0,44	
UCFL203	17	113	90	15	11	25,5	12	60	33,3	37,5	31	12,7	M10	12160	6318	UC203	FL204	0,43	
UCFL203-11	11/16	47/16	335/64	19/32	7/16	1	15/32	23/8	15/16	131/64	1,2205	0,500	3/8	12160	6318	UC203-11	FL204	0,42	
UCFL204	20	113	90	15	11	25,5	12	60	33,3	37,5	31	12,7	M10	12160	6318	UC204	FL204	0,41	
UCFL204-12	3/4	47/16	335/64	19/32	7/16	1	15/32	23/8	15/16	131/64	1,2205	0,500	3/8	12160	6318	UC204-12	FL204	0,41	
UCFL205	25	130	99	16	13	27	16	68	35,8	40	34,1	14,3	M14	13300	7457	UC205	FL205	0,58	
UCFL205-13	13/16	51/8	357/64	5/8	1/2	11/16	5/8	211/16	113/32	19/16	1,3425	0,563	1/2	13300	7457	UC205-13	FL205	0,62	
UCFL205-14	7/8	51/8	357/64	5/8	1/2	11/16	5/8	211/16	113/32	19/16	1,3425	0,563	1/2	13300	7457	UC205-14	FL205	0,61	
UCFL205-15	15/16	51/8	357/64	5/8	1/2	11/16	5/8	211/16	113/32	19/16	1,3425	0,563	1/2	13300	7457	UC205-15	FL205	0,59	
UCFL205-16	1	51/8	357/64	5/8	1/2	11/16	5/8	211/16	113/32	19/16	1,3425	0,563	1/2	13300	7457	UC205-16	FL205	0,58	
UCFL206	30	148	117	18	13	31	16	80	40,2	44,5	38,1	15,9	M14	18525	10735	UC206	FL206	0,86	
UCFL206-17	11/16	513/16	439/64	45/64	1/2	17/32	5/8	35/32	119/32	1 3/4	1,5000	0,626	1/2	18525	10735	UC206-17	FL206	0,89	
UCFL206-18	11/8	513/16	439/64	45/64	1/2	17/32	5/8	35/32	119/32	1 3/4	1,5000	0,626	1/2	18525	10735	UC206-18	FL206	0,88	
UCFL206-19	13/16	513/16	439/64	45/64	1/2	17/32	5/8	35/32	119/32	1 3/4	1,5000	0,626	1/2	18525	10735	UC206-19	FL206	0,86	
UCFL206-20	1 1/4	513/16	439/64	45/64	1/2	17/32	5/8	35/32	119/32	1 3/4	1,5000	0,626	1/2	18525	10735	UC206-20	FL206	0,85	
UCFL207	35	161	130	19	14	34	16	90	44,4	48,5	42,9	17,5	M14	24415	14630	UC207	FL207	1,08	
UCFL207-20	1 1/4	611/32	51/8	3/4	35/64	113/32	5/8	335/64	1 3/4	129/32	1,6890	0,689	1/2	24415	14630	UC207-20	FL207	1,14	
UCFL207-21	15/16	611/32	51/8	3/4	35/64	113/32	5/8	335/64	1 3/4	129/32	1,6890	0,689	1/2	24415	14630	UC207-21	FL207	1,11	
UCFL207-22	13/8	611/32	51/8	3/4	35/64	113/32	5/8	335/64	1 3/4	129/32	1,6890	0,689	1/2	24415	14630	UC207-22	FL207	1,08	
UCFL207-23	17/16	611/32	51/8	3/4	35/64	113/32	5/8	335/64	1 3/4	129/32	1,6890	0,689	1/2	24415	14630	UC207-23	FL207	1,05	
UCFL208	40	175	144	21	14	36	16	100	51,2	55,5	49,2	19	M14	27645	16910	UC208	FL208	1,44	
UCFL208-24	1 1/2	67/8	543/64	53/64	35/64	113/32	5/8	315/16	21/64	23/16	1,9370	0,748	1/2	27645	16910	UC208-24	FL208	1,48	
UCFL208-25	19/16	67/8	543/64	53/64	35/64	113/32	5/8	315/16	21/64	23/16	1,9370	0,748	1/2	27645	16910	UC208-25	FL208	1,45	
UCFL209	45	188	148	22	15	38	19	108	52,2	56,5	49,2	19	M16	32395	20235	UC209	FL209	1,74	
UCFL209-26	15/8	713/32	553/64	55/64	19/32	1 1/2	3/4	4 1/4	21/16	27/32	1,9370	0,748	5/8	32395	20235	UC209-26	FL209	1,84	
UCFL209-27	111/16	713/32	553/64	55/64	19/32	1 1/2	3/4	4 1/4	21/16	27/32	1,9370	0,748	5/8	32395	20235	UC209-27	FL209	1,80	
UCFL209-28	1 3/4	713/32	553/64	55/64	19/32	1 1/2	3/4	4 1/4	21/16	27/32	1,9370	0,748	5/8	32395	20235	UC209-28	FL209	1,76	
UCFL210	50	197	157	22	15	40	19	115	54,6	59,5	51,6	19	M16	33345	22135	UC210	FL210	2,10	
UCFL210-29	113/16	7 3/4	63/16	55/64	19/32	137/64	3/4	417/32	25/32	211/32	2,0315	0,748	5/8	33345	22135	UC210-29	FL210	2,22	
UCFL210-30	17/8	7 3/4	63/16	55/64	19/32	137/64	3/4	417/32	25/32	211/32	2,0315	0,748	5/8	33345	22135	UC210-30	FL210	2,17	
UCFL210-31	115/16	7 3/4	63/16	55/64	19/32	137/64	3/4	417/32	25/32	211/32	2,0315	0,748	5/8	33345	22135	UC210-31	FL210	2,12	
UCFL210-32	2	7 3/4	63/16	55/64	19/32	137/64	3/4	417/32	25/32	211/32	2,0315	0,748	5/8	33345	22135	UC210-32	FL210	2,08	
UCFL211	55	224	184	25	18	43	19	130	58,4	63	55,6	22,2	M16	41230	27930	UC211	FL211	2,91	
UCFL211-32	2	813/16	7/4	63/64	23/32	111/16	3/4	51/6	25/16	215/32	2,1890	0,874	5/8	41230	27930	UC211-32	FL211	3,06	
UCFL211-33	21/16	813/16	7/4	63/64	23/32	111/16	3/4	51/6	25/16	215/32	2,1890	0,874	5/8	41230	27930	UC211-33	FL211	3,00	
UCFL211-34	21/8	813/16	7/4	63/64	23/32	111/16	3/4	51/6	25/16	215/32	2,1890	0,874	5/8	41230	27930	UC211-34	FL211	2,95	
UCFL211-35	23/16	813/16	7/4	63/64	23/32	111/16	3/4	51/6	25/16	215/32	2,1890	0,874	5/8	41230	27930	UC211-35	FL211	2,89	
UCFL212	60	250	202	29	18	48	23	140	68,7	73,5	65,1	25,4	M20	49780	34390	UC212	FL212	3,74	
UCFL212-36	2 1/4	927/32	761/64	19/64	23/32	17/8	29/32	5 1/2	223/32	257/64	2,5630	1,000	3/4	49780	34390	UC212-36	FL212	3,87	
UCFL212-37	25/16	927/32	761/64	19/64	23/32	17/8	29/32	5 1/2	223/32	257/64	2,5630	1,000	3/4	49780	34390	UC212-37	FL212	3,79	
UCFL212-38	23/8	927/32	761/64	19/64	23/32	17/8	29/32	5 1/2	223/32	257/64	2,5630	1,000	3/4	49780	34390	UC212-38	FL212	3,72	
UCFL212-39	27/16	927/32	761/64	19/64	23/32	17/8	29/32	5 1/2	223/32	257/64	2,5630	1,000	3/4	49780	34390	UC212-39	FL212	3,65	
UCFL213	65	258	210	30	22	50	23	155	69,7	74,5	65,1	25,4	M20	54340	38095	UC213	FL213	4,57	
UCFL213-40	2 1/2	105/32	817/64	13/16	7/8	131/32	29/32	63/32	2 3/4	215/16	2,5630	1,000	3/4	54340	38095	UC213-40	FL213	4,66	
UCFL213-41	29/16	105/32	817/64	13/16	7/8	131/32	29/32	63/32	2 3/4	215/16	2,5630	1,000	3/4	54340	38095	UC213-41	FL213	4,57	
UCFL214	70	265	216	31	22	54	23	160	75,4	-	74,6	30,2	M20	59090	41895	UC214	FL214	5,11	
UCFL214-42	25/8	107/16	8 1/2	17/32	7/8	21/8	29/32	65/16	231/32	-	2,9370	1,189	3/4	59090	41895	UC214-42	FL214	5,32	
UCFL214-43	211/16	107/16	8 1/2	17/32	7/8	21/8	29/32	65/16	231/32	-	2,9370	1,189	3/4	59090	41895	UC214-43	FL214	5,22	
UCFL214-44	2 3/4	107/16	8 1/2	17/32	7/8	21/8	29/32	65/16	231/32	-	2,9370	1,189	3/4	59090	41895	UC214-44	FL214	5,12	
UCFL215	75	275	225	34	22	56	23	165	78,5	-	77,8	33,3	M20	64030	45885	UC215	FL215	5,37	
UCFL215-45	213/16	1013/16	855/64	111/32	7/8	27/32	29/32	6 1/2	33/32	-	3,0630	1,311	3/4	64030	45885	UC215-45	FL215	5,62	
UCFL215-46	27/8	1013/16	855/64	111/32	7/8	27/32	29/32	6 1/2	33/32	-	3,0630	1,311	3/4	64030	45885	UC215-46	FL215	5,51	
UCFL215-47	215/16	1013/16	855/64	111/32	7/8	27/32	29/32	6 1/2	33/32	-	3,0630	1,311	3/4	64030	45885	UC215-47	FL215	5,40	
UCFL215-48	3	1013/16	855/64	111/32	7/8	27/32	29/32	6 1/2	33/32	-	3,0630	1,311	3/4	64030	45885	UC215-48	FL215	5,28	
UCFL216	80	290	233	34	22	58	25	180	83,3	-	82,6	33,3	M22	69065	50350	UC216	FL216	7,20	
UCFL216-49	31/16	1113/32	911/64	111/32	7/8	29/32	63/64	73/32	39/32	-	3,2520	1,311	7/8	69065	50350	UC216-49	FL216	7,38	
UCFL216-50	31/8	1113/32	911/64	111/32	7/8	29/32	63/64	73/32	39/32	-	3,2520	1,311	7/8	69065	50350	UC216-50	FL216	7,25	
UCFL216-51	31/16	1113/32	911/64	111/32	7/8	29/32	63/64	73/32	39/32	-	3,2520	1,311	7/8	69065	50350	UC216-51	FL216	7,12	
UCFL217	85	305	248	36	24	63	25	190	87,6	-	85,7	34,1	M22	79800	58805	UC217	FL217	8,61	
UCFL217-52	3 3/4	12	949/64	127/64	15/16	215/32	63/64</												