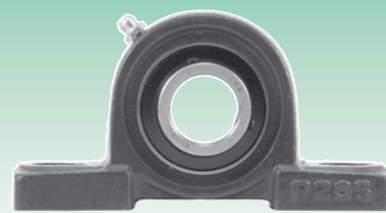
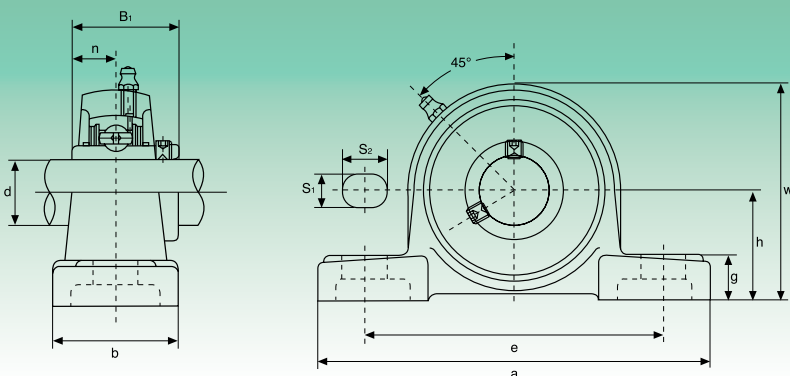


UCP3 Schwere Reihe - Тяжелая серия



Typ Тип	Abmessungen - Размеры											Bef.Bolz. Креп. винт	Tragzahlen (N) Коэффициент нагрузки (H)		Lager Подшипник	Gehäuse Корпус	Gewicht Вес	
	d	h	a	e	b	S <sub>1</sub>	S <sub>2</sub>	g	w	B <sub>1</sub>	n		dynamisch C Динамическая C	statisch C <sub>0</sub> Статическая C <sub>0</sub>				kg
	mm/Zoll - мм/дюйм												mm/Zoll - мм/дюйм					
UCP305	25	45	175	132	45	17	20	15	85	38	15	M14			UC305			
UCP305-13	13/16														UC305-13			
UCP305-14	7/8														UC305-14	P305	1,4	
UCP305-15	15/16	149/64	67/8	53/16	125/32	43/64	25/32	19/32	311/32	1,4961	0,591	1/2	20140	10355	UC305-15			
UCP305-16	1														UC305-16			
UCP306	30	50	180	140	50	17	20	18	95	43	17	M14			UC306			
UCP306-17	11/16														UC306-17			
UCP306-18	11/8	131/32	73/32	5 1/2	131/32	43/64	25/32	23/32	3 3/4	1,6929	0,669	1/2	25365	14250	UC306-18	P306	1,8	
UCP306-19	13/16														UC306-19			
UCP307	35	56	210	160	56	17	25	20	106	48	19	M14			UC307			
UCP307-20	1 1/4														UC307-20			
UCP307-21	15/16	113/64	89/32	65/16	213/64	43/64	31/32	25/32	43/16	1,8898	1,748	1/2	31730	18335	UC307-21	P307	2,8	
UCP307-22	13/8														UC307-22			
UCP307-23	17/16														UC307-23			
UCP308	40	60	220	170	60	17	27	22	116	52	19	M14			UC308			
UCP308-24	1 1/2														UC308-24			
UCP308-25	19/16	223/64	821/32	611/16	23/8	43/64	111/16	7/8	49/16	2,0472	0,748	1/2	38665	22800	UC308-25	P308	3,0	
UCP309	45	67	245	190	67	20	30	24	129	57	22	M16			UC309			
UCP309-26	15/8														UC309-26			
UCP309-27	11 1/16	241/64	921/32	715/32	25/8	25/32	13/16	15/16	53/32	2,2441	0,866	5/8	46455	28025	UC309-27	P309	4,1	
UCP309-28	1 3/4														UC309-28			
UCP310	50	75	275	212	75	20	35	27	143	61	22	M16			UC310			
UCP310-29	113/16														UC310-29			
UCP310-30	17/8	261/64	1013/16	811/32	215/16	25/32	13/8	11/16	55/8	2,4016	0,866	5/8	58900	36385	UC310-30	P310	5,8	
UCP310-31	115/16														UC310-31			
UCP311	55	80	310	236	80	20	38	30	154	66	25	M16			UC311			
UCP311-32	2														UC311-32			
UCP311-33	21/16	35/32	127/32	99/32	35/32	25/32	1 1/2	13/16	61/16	2,5984	0,984	5/8	68020	42750	UC311-33	P311	7,4	
UCP311-34	21/8														UC311-34			
UCP311-35	23/16														UC311-35			
UCP312	60	85	330	250	85	25	38	32	165	71	26	M20			UC312			
UCP312-36	2 1/4														UC312-36			
UCP312-37	25/16	311/32	13	917/32	311/32	31/32	1 1/2	1 1/4	6 1/2	2,7953	1,024	3/4	77805	49590	UC312-37	P312	9,4	
UCP312-38	23/8														UC312-38			
UCP312-39	27/16														UC312-39			
UCP313	65	90	340	260	90	25	38	33	176	75	30	M20			UC313			
UCP313-40	2 1/2														UC313-40			
UCP313-41	29/16	335/64	133/8	10 1/4	317/32	31/32	1 1/2	15/16	615/16	2,9528	1,181	3/4	88065	56905	UC313-41	P313	10	
UCP314	70	95	360	280	90	27	40	35	187	78	33	M22			UC314			
UCP314-42	25/8														UC314-42			
UCP314-43	21 1/16	347/64	143/16	111/32	317/32	11/16	19/16	13/8	73/8	3,0708	1,299	7/8	98800	64790	UC314-43	P314	12	
UCP314-44	2 3/4														UC314-44			
UCP315	75	100	380	290	100	27	40	35	198	82	32	M22			UC315			
UCP315-45	216/8														UC315-45			
UCP315-46	27/8	315/16	1431/32	1113/32	315/16	11/16	19/16	13/8	725/32	3,2283	1,260	7/8	107350	73340	UC315-46	P315	14	
UCP315-47	215/16														UC315-47			
UCP315-48	3														UC315-48			
UCP316	80	106	400	300	110	27	40	40	210	86	34	M22			UC316			
UCP316-49	31/16														UC316-49			
UCP316-50	31/8	411/64	15 3/4	1113/16	411/32	11/16	19/16	19/16	89/32	3,3858	1,339	7/8	111850	82365	UC316-50	P316	18	
UCP316-51	33/16														UC316-51			
UCP317	85	112	420	320	110	33	45	40	220	96	40	M27			UC317			
UCP317-52	3 3/4														UC317-52			
UCP317-53	35/16	413/32	1617/32	1219/32	411/32	15/16	125/32	19/16	821/32	3,7795	1,575	1	126350	91960	UC317-53	P317	20	
UCP317-55	37/16														UC317-55			
UCP318	90	118	430	330	110	33	45	45	235	96	40	M27			UC318			
UCP318-55	37/16														UC318-55			
UCP318-56	3 1/2	441/64	1615/16	13	411/32	15/16	125/32	125/32	9 1/4	3,7795	1,575	1	135850	101650	UC318-56	P318	24	
UCP319	95	125	470	360	120	36	50	45	250	103	41	M30			UC319			
UCP319-58	35/8														UC319-58			
UCP319-59	31 1/16	459/64	18 1/2	143/16	423/32	113/32	131/32	125/32	927/32	4,0551	1,614	11/8	145350	113050	UC319-59	P319	29	
UCP319-60	3 3/4														UC319-60			
UCP320	100	140	490	380	120	36	50	50	275	108	42	M30			UC320			
UCP320-64	4	533/64	199/32	1431/32	423/32	113/32	131/32	131/32	1013/16	4,2520	1,654	11/8	164350	133950	UC320-64	P320	35	
UCP321	105	140	490	380	120	36	50	56	283	112	44	M33			UC321	P321	35	
UCP322	110	150	520	400	140	40	55	61	303	117	46	M33			UC322	P322	45	
UCP324	120	160	570	450	140	40	55	71	323	126	51	M33			UC324	P324	55	
UCP326	130	180	600	480	140	40	55	81	363	135	54	M33			UC326	P326	72	
UCP328	140	200	620	500	140	40	55	81	403	145	59	M33			UC328	P328	89	